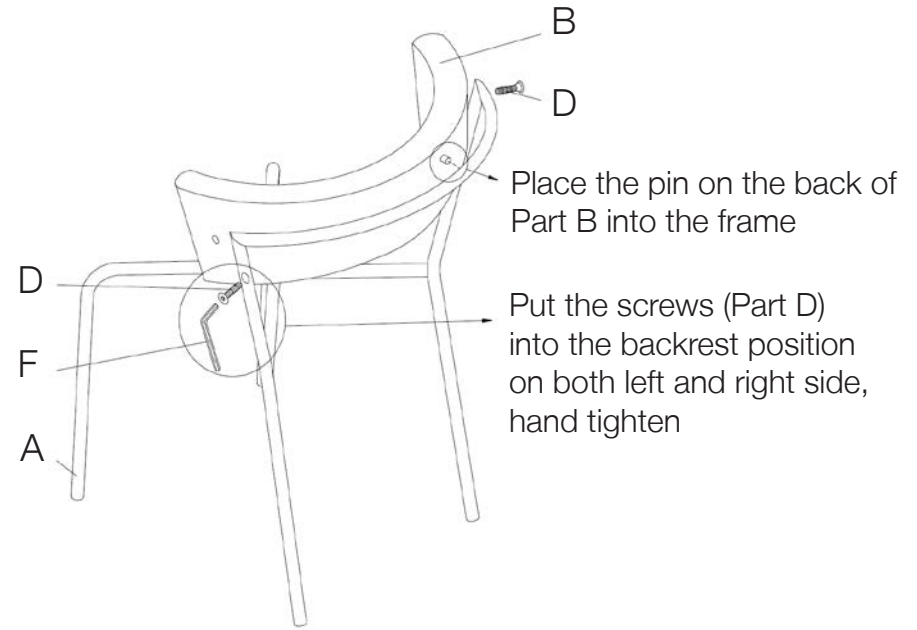


PLEASE NOTE: Check that you have received all components and hardware before assembling. If you are missing any parts, contact your retailer.

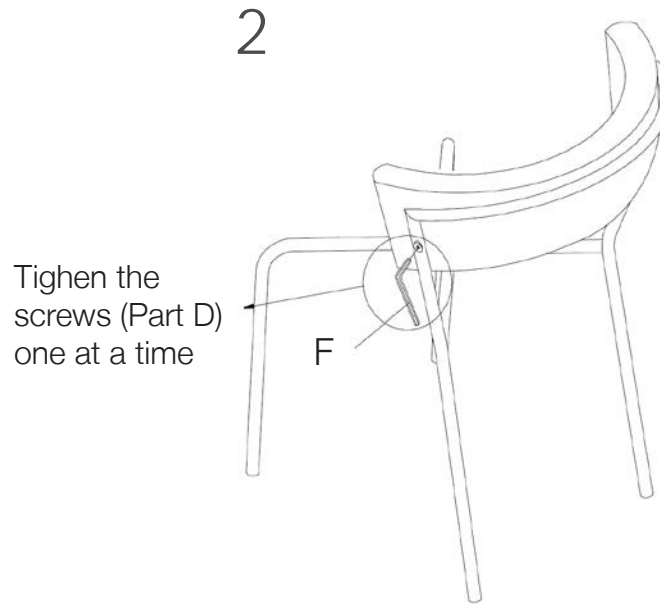
Assembly Instructions DRACO Side Chair



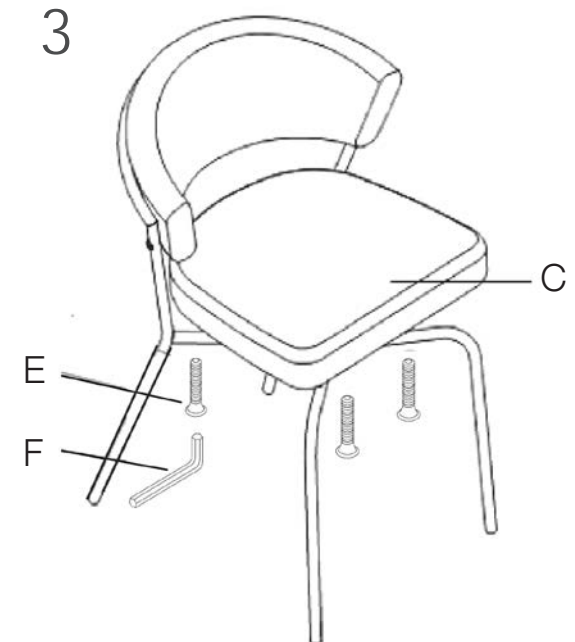
1



2



3



A (1 pc)



B (1 pc)



C (1 pc)



D (2 pcs)
M6-1 x 20mm



E (4 pcs)
M6-1 x 30mm



F (1 pc)
5mm

During assembly, hand tighten screws only. When the screws are in place, tighten completely.