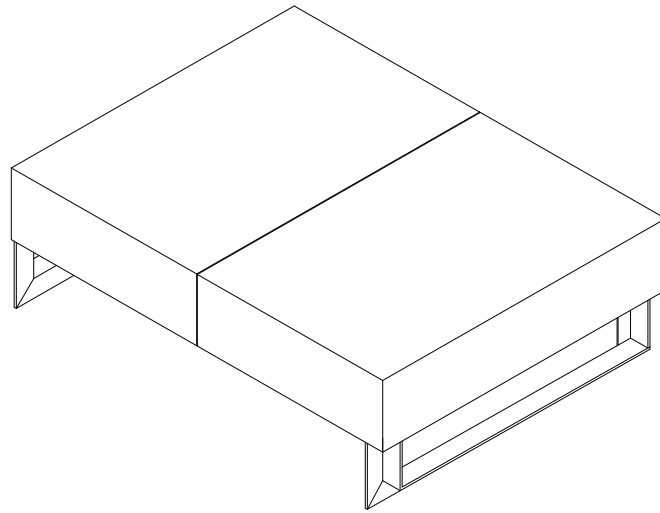


# **ASSEMBLYINSTRUCTIONS.**

TIBURON STORAGE COFFEE TABLE



**SR-1018-24**



THANK YOU FOR YOUR PURCHASE!

## PARTS AND HARDWARE.

### PARTS LIST

No.	DESCRIPTION	IMAGE	QTY
A	METAL FRAME		2
B	BODY		1

### HARDWARE LIST

No.	DESCRIPTION	IMAGE	QTY
C	BOLT M6, 15MM		16
D	WASHER 18 MM		16
E	ALLEN KEY 4MM		1

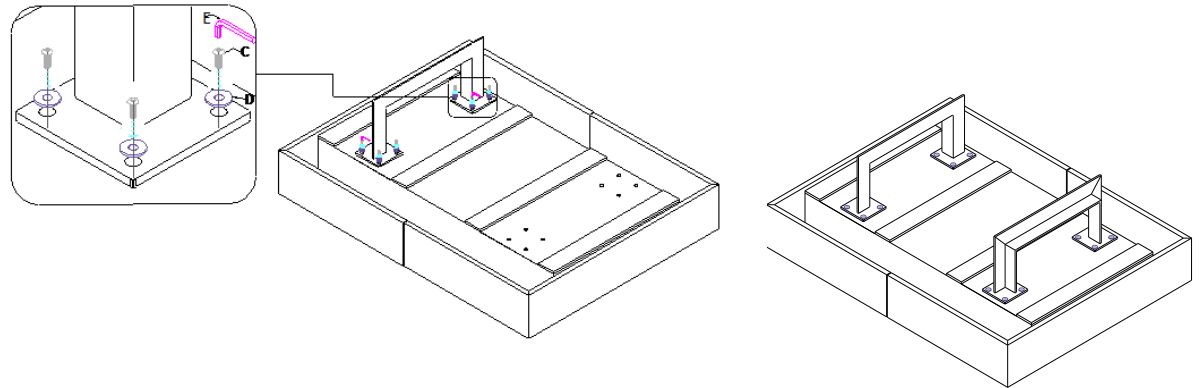
### NOTES.

Thank you for purchasing this quality product! Be sure to check all packing material carefully for small part that may have come loose inside the carton during shipping.

**CAUTION:** The item is heavy, assembly should be performed by

### STEP 1.

Align Tabs of Metal Frame (A) With the Fasteners inserted into Bottom of the Coffee table Top (B) as shown below in diagram, Insert Allen Bolt (C), Washer (D) and tighten with Allen Key (E). Repeat the same process to secure other end. Do not tighten Allen Bolts fully.



### STEP 2.

Once all connections are fully tighten, Turn the table in upright position.

Product is ready to use.

