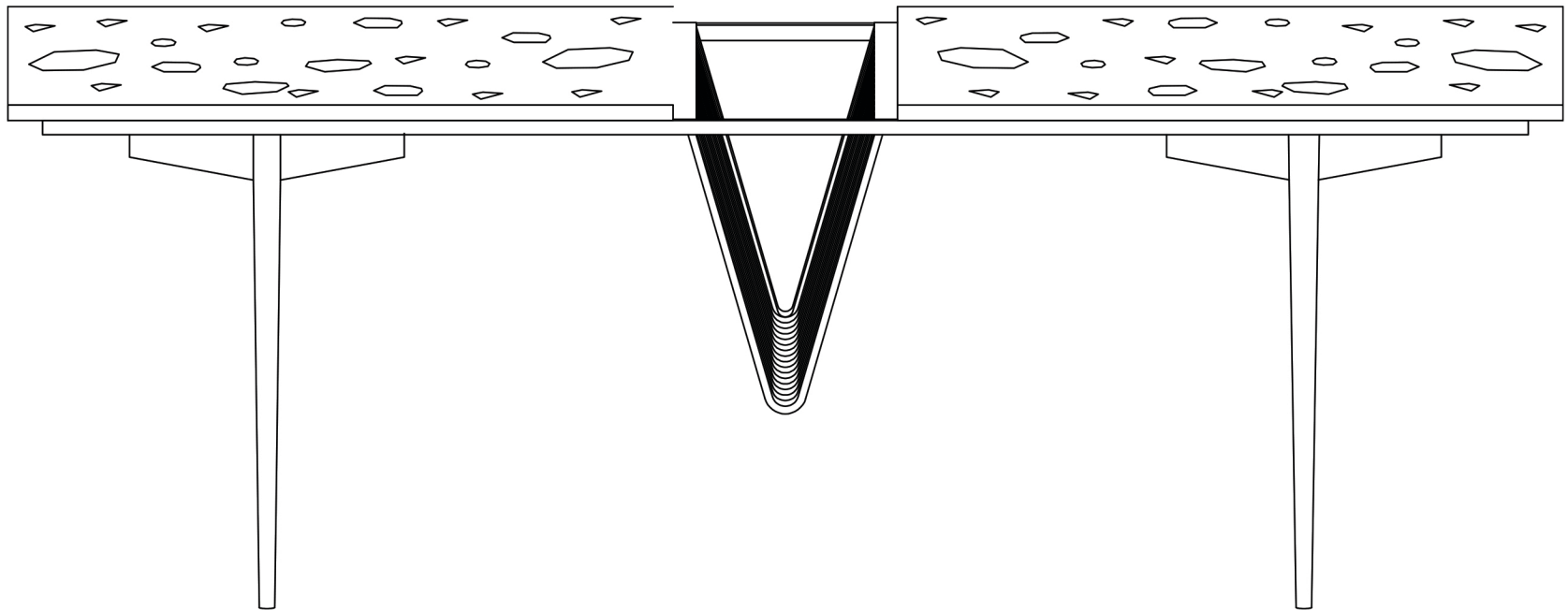


ASSEMBLY INSTRUCTIONS.

MOSAIC COFFEE TABLE

QJ-1012-37

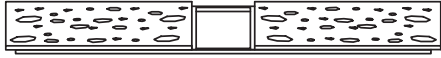


THANK YOU FOR YOUR PURCHASE!

PARTS AND HARDWARE.

PARTS LIST

1.TOP x 1



2. LEG x 2

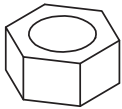


3.BASKET x 1

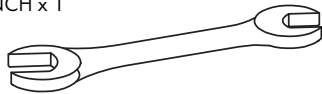


HARDWARE LIST

4.BOLT x 6



5.WRENCH x 1

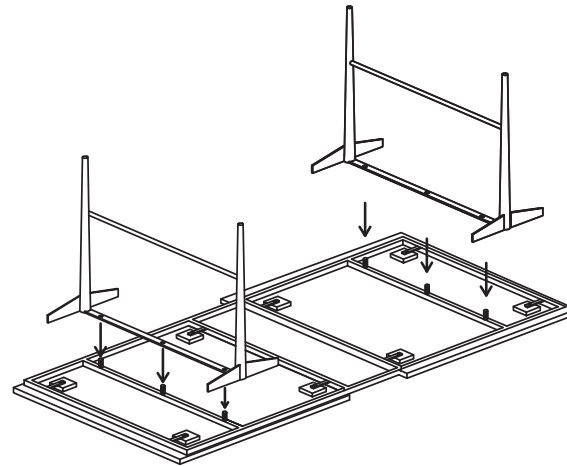


NOTES.

Thank you for purchasing this quality product! Be sure to check all packing material carefully for small part that may have come loose inside the carton during shipping.

CAUTION: The item is heavy, assembly should Be performed by two people.

STEP 1.



STEP 2.

