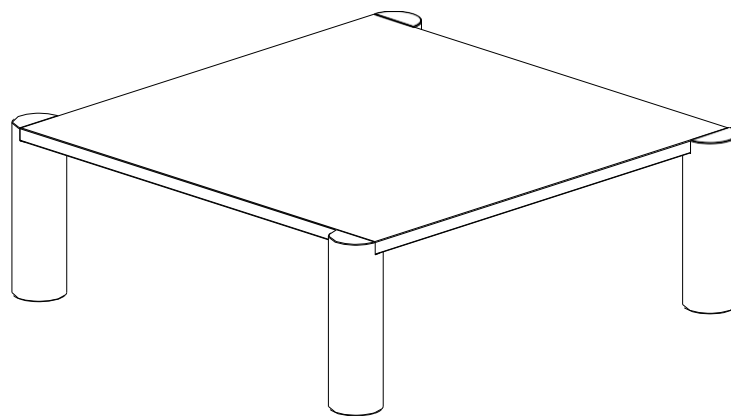


# ASSEMBLY INSTRUCTIONS.

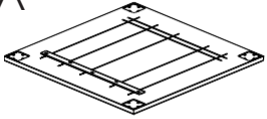
POST COFFEE TABLE BLACK ASH  
**BC-1096-02**



THANK YOU FOR YOUR PURCHASE!

## PART LIST

A



Top Table = 1pc

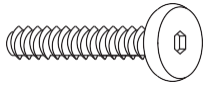
B



Leg = 4pcs

## HARDWARE LIST

1. Bolt



M6x20mm

24pcs

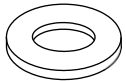
2. Spring washer



M6.5x13mm

12pcs

3. Flat washer



M6.5x18mm

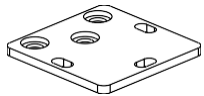
12pcs

4. Allenkey



1 pc

5. Mounting Plate metal



4pcs

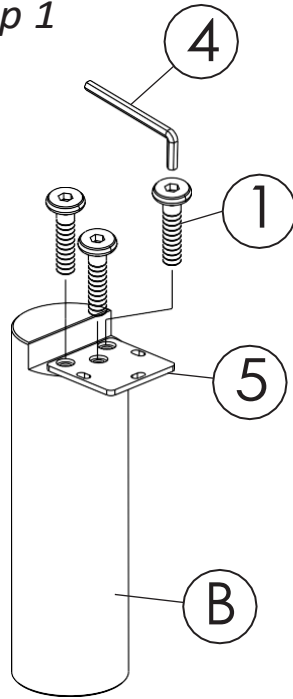
## NOTES.

Thank you for purchasing this quality product! Be sure to check all packing material carefully for small part that may have come loose inside the carton during shipping.

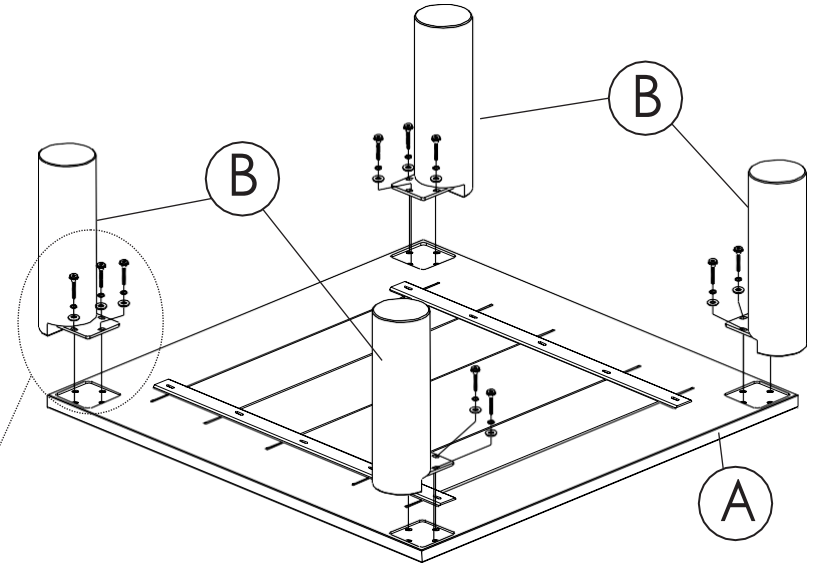
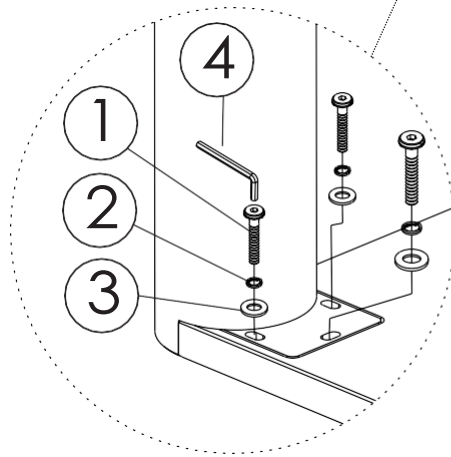
## CAUTION:

The item is heavy, assembly should be performed by two people.

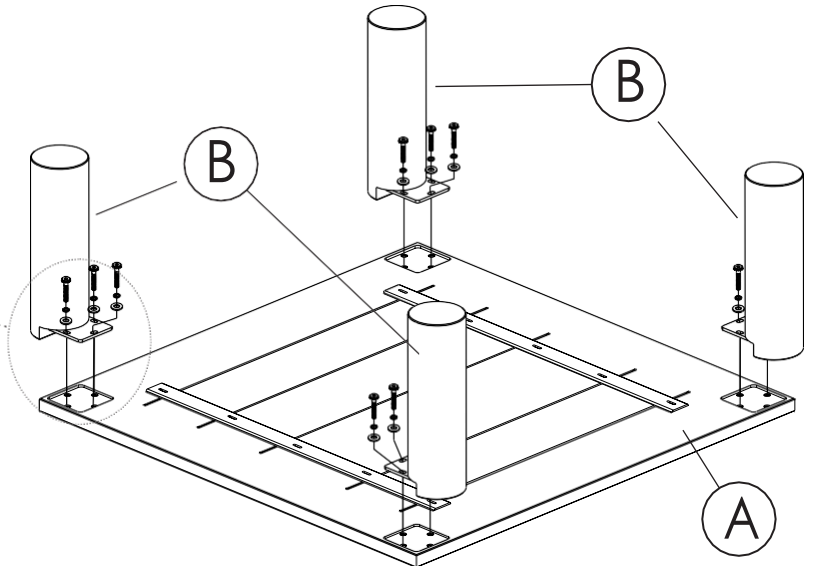
Step 1



Step 2



OPTION 2



OPTION 1