

**Standard Features:**

- Premium high-density, high-resiliency foam seat cushion
- Single-needle top-stitch
- Tight back and seat cushion
- Articulating headrest
- Stainless steel footrest extension
- hides all mechanical linkages
- Quick-ship delivery
- Lifetime warranty on frame
- Ten-year warranty on mechanism

**Options:**

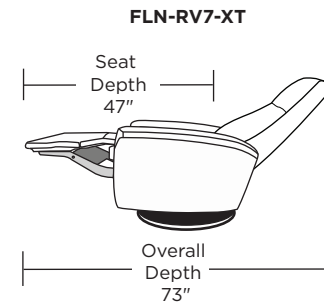
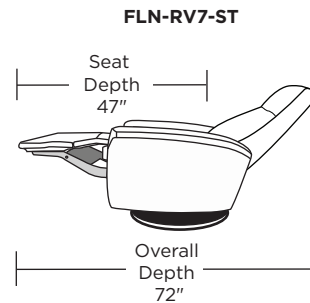
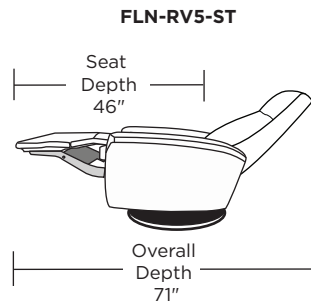
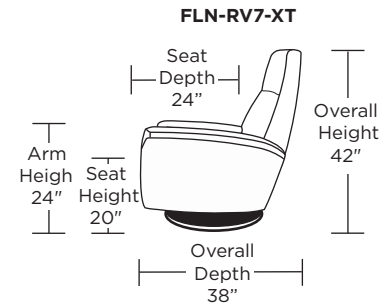
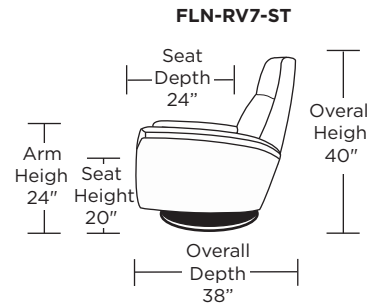
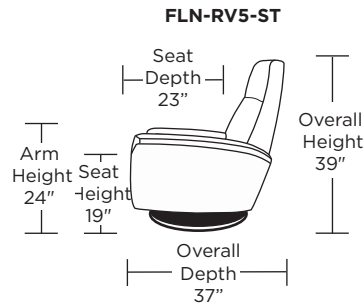
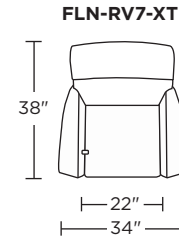
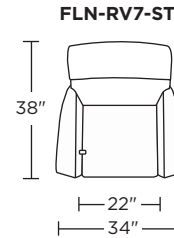
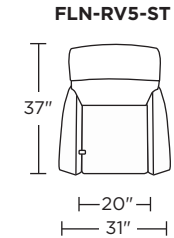
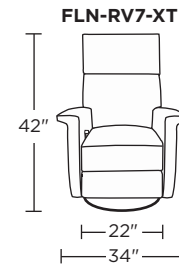
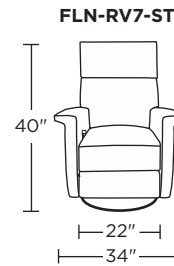
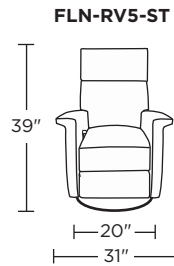
- Swivel base available in wood (Natural Walnut or Gray Ash) or Brushed Metal
- Fixed wood legs available in Natural Walnut or Gray Ash
- Four star base available in Antique Brass, Burnished Bronze, Natural Walnut or Polished Nickel finish
- Extra firm seating option (Seat cushion, back cushion, and headrest)
- Stainless Steel lever available on manual recliner
- Headrest cover available
- Order HRC-RV5-TT or HRC-RV7-TT

**Additional Power Options:**

- Motorized recliner with an in-arm control panel that is easy to use and includes a USB charging port
- Motor has a five-year warranty
- Lithium-ion battery pack available
- Battery pack has a one-year warranty

Please use actual leather, fabric, Crypton®, Sunbrella® and Ultrasuede® swatches when specifying furniture as the colors shown may vary due to the printing process.

Wall clearance is 12-17"



All dimensions are approximate and subject to change. V.05.07.20

U.S. Patent # 8882190 & 9504328  
 China Patent #201280015832, 201510836445, & 201510836650  
 Additional patents pending

**Note:** Microfiber fabrics such as SUEDELIFE and VEELIFE not suggested for this style