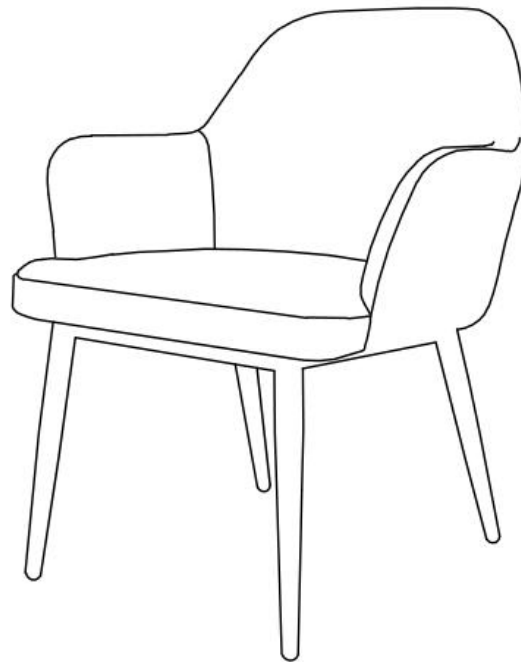


ASSEMBLY INSTRUCTIONS.

BERLIN ACCENT CHAIR

UU-1019-39



THANK YOU FOR YOUR PURCHASE!

PARTS AND HARDWARE.

① SEAT



② FRAME



③ SCREW



6*20=4

④ WRENCH



4MM=1

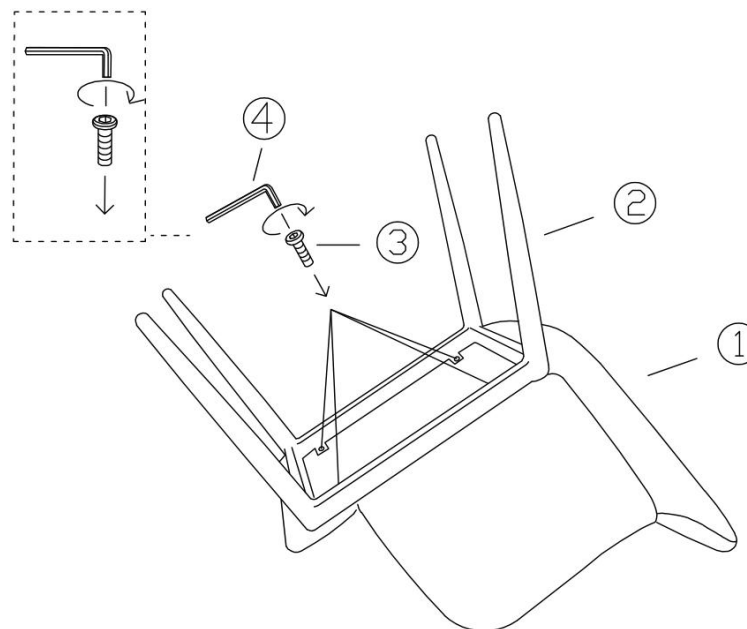
NOTES.

Thank you for purchasing this quality product ! Be Sure to check all packing material carefully for hardware that may have come loose inside the carton during shipping.

CAUTION:

The item is heavy, assembly should be performed by two people.

STEP 1.



STEP 2.

