

ASSEMBLY INSTRUCTIONS.

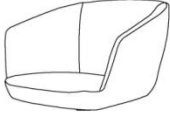
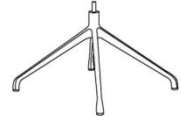




GIBSON SWIVEL CHAIR BLACK

EJ-1040-02



THANK YOU FOR YOUR PURCHASE!

PARTS AND HARDWARE.

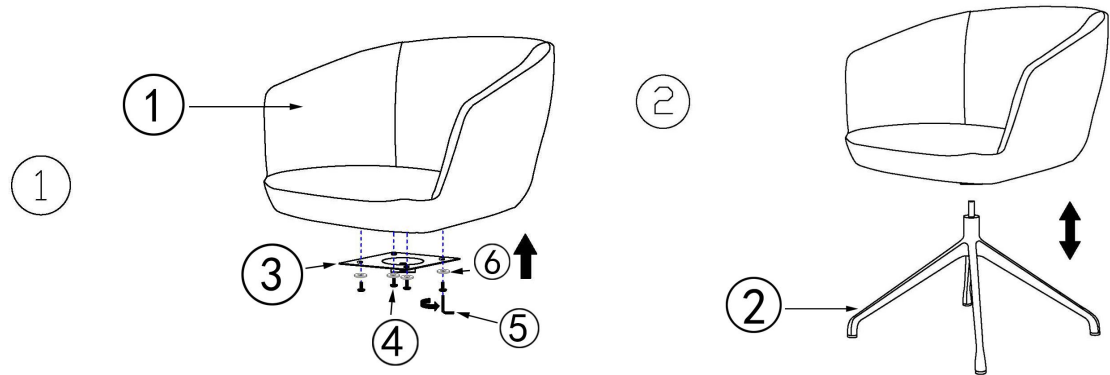
1 SEAT x 1 	
2 LEG x 1 	
3 CHASSIS x 1 	4 BOLT M6-25 x 4 
5 ALLEN KEY M4 x 1 	6 FLAT WASHER x 4 

NOTES.

Thank you for purchasing this quality product! Be sure to check all packing material carefully for small part that may have come loose inside the carton during shipping.

CAUTION: The item is heavy, assembly should be performed by two people.

STEP 1.



STEP 2.

