

# Grayson



Shown in fabric 15963-343, throw pillow fabric (TP) 29777-56, Washed Oak wood finish.

P705-203 Sofa: L95 x D40 x H37  
cm: L241 x D102 x H94

Seat Height: 20" Seat Depth: 24" Arm Height: 25" Distance Between Arms: 83"



Shown in fabric 15863-29, throw pillow fabric (TP) 12156-31, Washed Oak wood finish.

Overall Height: 37" Seat Height: 20" Seat Depth: 24" Arm Height: 25"

## ALSO AVAILABLE:

- 89" 2 Cushion Sofa(-002) • 89" 3 Cushion Sofa(-202)
- 89" 2 Cushion Back Sofa with Bench Seat(-022) • 89" 3 Cushion Back Sofa with Bench(-222)
- 95" 2 Cushion Sofa (-003) • 95" 3 Cushion Back Sofa with Bench Seat(-233) • 95" 2 Cushion Back Sofa with Bench Seat(-033)
- Reversible Chaise Ottoman for both sofa sizes.(-065 - for 89" Sofa/-165 - for 95" Sofa)
- Ottoman Top for both sofa sizes.(-066 - for 89" Sofa/-166 - for 95" Sofa)
- Chair 1/2(-068) • Ottoman(-075) • Chair 1/2 Chaise Ottoman(-085) • Chair 1/2 Chaise Ottoman Top(-086)

All available Upholstered and Slipped  
See back for details and ordering information.

# Grayson

Standard Features	P705-202 P705-002	P705-033 P705-203 P705-022 P705-233	P705-068	P705-075	P705-085	P705-086	P705-065* P705-165**	P705-066* P705-166**
Loose Pillow Back	✓	✓	✓	N/A	N/A	N/A	N/A	N/A
Suspension System	sinuous	sinuous	sinuous	webbing	webbing	webbing	webbing	N/A
Two 22" Welted Down-Blend Throw Pillows (TP)	✓	✓	✓(1)	N/A	N/A	N/A	N/A	N/A
Harmony Cushion	✓	✓	✓	✓	✓	✓	✓	✓
Wooden Leg Finish Choices	✓	✓	✓	✓	✓	✓	✓	✓
<b>Options - See Price List for Prices</b>								
Cloud Cushion	✓	✓	✓	✓	✓	✓		
Extra Throw Pillows (XP)	✓	✓	N/A	N/A	N/A	N/A	N/A	N/A
Fitted Arm Covers	✓	✓	✓	N/A	N/A	N/A	N/A	N/A

**Pattern Availability: RG, PS, NM, RS**

\* Reversible Chaise Otto or Otto Top for the 89" Sofa  
 \*\* Reversible Chaise Otto or Otto Top for the 95" Sofa

This is a suggested application. Application is subject to change.  
 Sizes and Dimensions will vary from piece to piece due to the individual hand craftsmanship used in every style we produce.  
 All furniture style names are for internal reference only, not intended for commercial use.

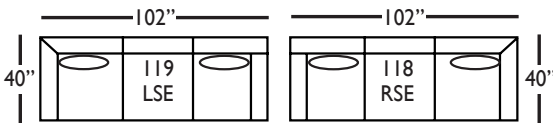
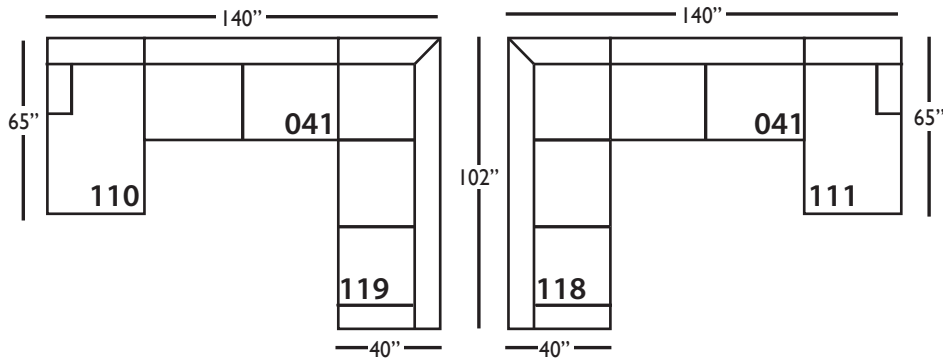
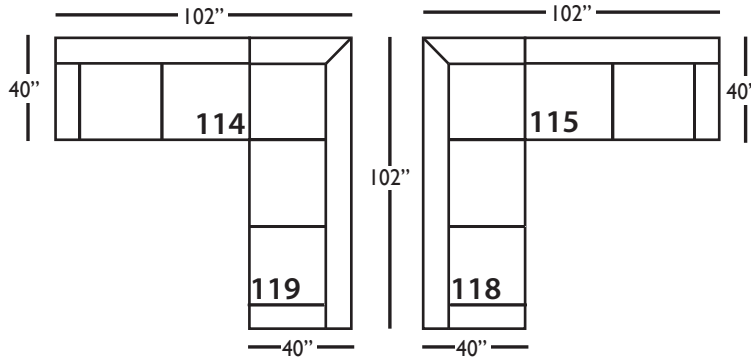
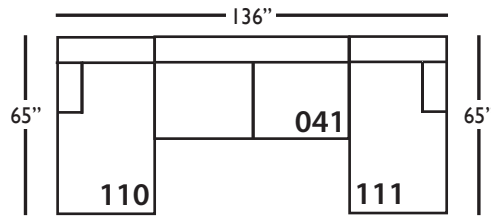
# Grayson Sectional

Standard Features	P705-041 Large Armless	P705-061 Small Armless	P705-110/111 Right/Left Chaise	P705-114/115 Right/Left Two Seated End	P705-118/119 Right/Left Three Seated End w/ Corner
Loose Pillow Back	✓	✓	✓	✓	✓
One 22" Welted Down-Blend Throw Pillow (TP)	N/A	N/A	✓	✓	✓ (2)
Wooden Leg Finish Choices	✓	✓	✓	✓	✓
Harmony Cushion	✓	✓	✓	✓	✓
Suspension System	sinuous	sinuous	sinuous	sinuous	sinuous
<b>Options - See Price List for Prices</b>					
Extra Throw Pillows (XP)	N/A	N/A	✓	✓	✓
Fitted Arm Covers	N/A	N/A	✓	✓	✓
Cloud Cushion	✓	✓	✓	✓	✓

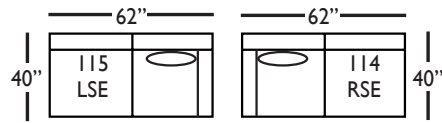
**Pattern Availability: RG, PS, NM, RS**

This is a suggested application. Application is subject to change.  
 Sizes and Dimensions will vary from piece to piece due to the individual hand craftsmanship used in every style we produce.  
 All furniture style names are for internal reference only, not intended for commercial use.

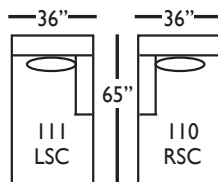
# Grayson Sectional



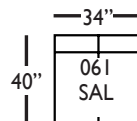
P705-118 - RSE  
P705-119 - LSE



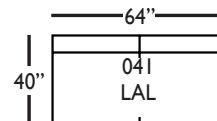
P705-114 - RSE  
P705-115 - LSE



P705-110 - RSC  
P705-111 - LSC



P705-061 - SAL



P705-041 - LAL

